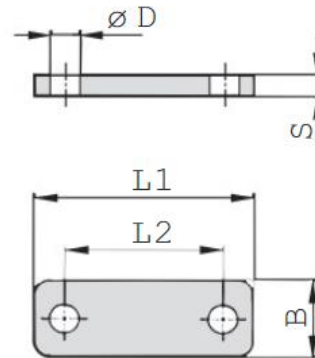


**COVER PLATE FOR SINGLE CLAMPS (FOR HEAVY SERIES)**
**Type DPAL**


Series	DIN	Order Code	Weld Plate				
			L1	L2	B	S	D
3S	1	DPAL-3S-W2	55	33	30	8	11
4S	2	DPAL-4S-W2	70	45	30	8	11
5S	3	DPAL-5S-W2	85	60	30	8	11
6S	4	DPAL-6S-W2	115	90	45	10	14
7S	5	DPAL-7S-W2	152	122	60	10	19
8S	6	DPAL-8S-W2	206	168	80	15	22
9S	7	DPAL-9S-W2	251	205	90	15	26
10S	8	DPAL-10S-W2	32	265	120	25	35
11S	9	DPAL-11S-W2	470	395	160	30	35
12S	10	DPAL-12S-W2	630	534	180	30	35