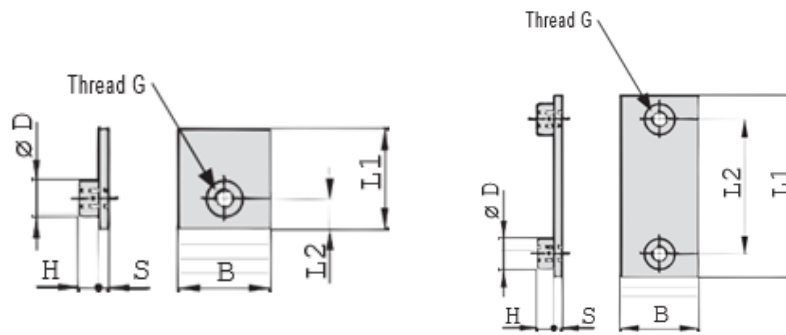


WELD PLATE (FOR STANDARD SERIES)
Type SP

Group 1
Group 1A to 8

Group	DIN	Order Code	Dimensions					
			L1	L2	B	S	H	D
1	0	SP-1-M-W2	31.5	10	30	3	6.5	12
1A	1	SP-1A-M-W2	36	20	30	3	6.5	12
2	2	SP-2-M-W2	42	26	30	3	6.5	12
3	3	SP-3-M-W2	50	33	30	3	6.5	12
4	4	SP-4-M-W2	60	40	30	3	6.5	12
5	5	SP-5-M-W2	71	52	30	3	6.5	12
6	6	SP-6-M-W2	88	66	30	3	6.5	12
7	7	SP-7-M-W2	122	94	30	3	6.5	12
8	8	SP-8-M-W2	148	120	30	3	6.5	12