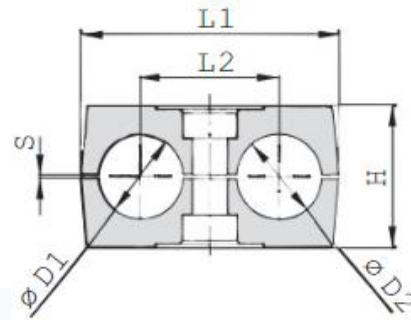


CLAMP BODY (FOR TWIN SERIES)

Profiled Inside Surface with Tension Clearance



Series	Order Code	D1/D2 Pipe O.D.	Inch Bore	Inch O.D.	Dimensions				
					L1	L2	H	S	Width
1D	PC-T**-1D-006-*	6/6			36	20	26.5	0.6	30
	PC-T**-1D-006.4-*	6.4/6.4		1/4					
	PC-T**-1D-008-*	8/8		5/16					
	PC-T**-1D-009.5-*	9.5/9.5		3/8					
	PC-T**-1D-010-*	10/10	1/8						
	PC-T**-1D-012-*	12/12							
2D	PC-T**-2D-012.7-*	12.7/12.7		1/2	53	29	26.5	0.7	30
	PC-T**-2D-013.5-*	13.5/13.5	1/4						
	PC-T**-2D-014-*	14/14							
	PC-T**-2D-015-*	15/15							
	PC-T**-2D-016-*	16/16	5/8						
	PC-T**-2D-017.2-*	17.2/17.2	3/8						
	PC-T**-2D-018-*	18/18							
3D	PC-T**-3D-019-*	19/19		3/4	67	36	36.5	0.7	30
	PC-T**-3D-020-*	20/20							
	PC-T**-3D-021.3-*	21.3/21.3	1/2						
	PC-T**-3D-022-*	22/22	7/8						
	PC-T**-3D-025-*	25/25							
	PC-T**-3D-025.4-*	25.4/25.4		1					
4D	PC-T**-4D-026.9-*	26.9/26.9	3/4		80	45	38	0.7	30
	PC-T**-4D-028-*	28/28							
	PC-T**-4D-030-*	30/30							
5D	PC-T**-5D-032-*	32/32			106	56	52	0.7	30
	PC-T**-5D-033.7-*	33.7/33.7							
	PC-T**-5D-035-*	35/35							
	PC-T**-5D-038-*	38/38							
	PC-T**-5D-040-*	40/40							
	PC-T**-5D-042-*	42/42							