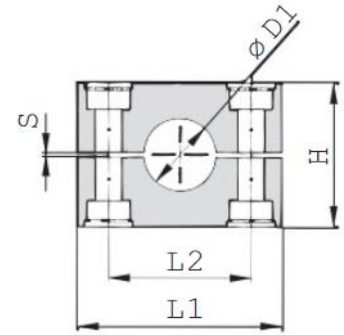


CLAMP BODY (FOR HEAVY SERIES)
Profiled Inside Surface with Tension Clearance


Series	Order Code	D1 Pipe O.D.	Inch Bore	Inch O.D.	Clamp Body				
					L1	L2	H	S	B
3S	PC-H**-3S-006-*	6			55	33	30.5	0.6	30.5
	PC-H**-3S-006.4-*	6.4		1/4					
	PC-H**-3S-008-*	8		5/16					
	PC-H**-3S-009.5-*	9.5		3/8					
	PC-H**-3S-010-*	10	1/8						
	PC-H**-3S-012-*	12							
	PC-H**-3S-012.7-*	12.7		1/2					
	PC-H**-3S-013.5-*	13.5	1/4						
	PC-H**-3S-014-*	14							
	PC-H**-3S-015-*	15							
4S	PC-H**-3S-016-*	16		5/8					
	PC-H**-3S-017.2-*	17.2	3/8						
	PC-H**-3S-018-*	18							
	PC-H**-4S-019-*	19		3/4					
	PC-H**-4S-020-*	20							
	PC-H**-4S-021.3-*	21.3	1/2						
	PC-H**-4S-022-*	22		7/8					
	PC-H**-4S-025-*	25							
	PC-H**-4S-025.4-*	25.4		1					
	PC-H**-4S-026.9-*	26.9	3/4						
5S	PC-H**-4S-028-*	28							
	PC-H**-4S-030-*	30							
	PC-H**-5S-030-*	30							
	PC-H**-5S-032-*	32		1 1/4					
	PC-H**-5S-033.7-*	33.7	1						
	PC-H**-5S-035-*	35							
	PC-H**-5S-038-*	38		1 1/2					
	PC-H**-5S-040-*	40							
	PC-H**-5S-042-*	42	1 1/4						
	PC-H**-6S-038-*	38		1 1/2					
6S	PC-H**-6S-042-*	42	1 1/4						
	PC-H**-6S-044.5-*	44.5		1 3/4					
	PC-H**-6S-048.3-*	48.3	1 1/2						
	PC-H**-6S-050.8-*	50.8		2					
	PC-H**-6S-055-*	55							
	PC-H**-6S-057-*	57		2 1/4					
	PC-H**-6S-060.3-*	60.3	2						
	PC-H**-6S-063.5-*	63.5		2 1/2					
	PC-H**-6S-065-*	65							
	PC-H**-6S-070-*	70		2 3/4					
7S	PC-H**-7S-065-*	65							
	PC-H**-7S-070-*	70							
	PC-H**-7S-073-*	73		2 7/8					
	PC-H**-7S-075-*	75							
	PC-H**-7S-076.1-*	76.1	2 1/2	3					
	PC-H**-7S-080-*	80							
	PC-H**-7S-082.5-*	82.5		3 1/4					
	PC-H**-7S-088.9-*	88.9	3	3 1/2					
	PC-H**-8S-088.9-*	88.9	3	3 1/2					
	PC-H**-8S-100-*	100							
8S	PC-H**-8S-102-*	102	3 1/2						
	PC-H**-8S-108-*	108	4 1/4						
	PC-H**-8S-114-*	114	4						
	PC-H**-8S-127-*	127		5					
	PC-H**-8S-133-*	133		5 1/4					
	PC-H**-9S-133-*	133		5 1/4					
9S	PC-H**-9S-140-*	140	5						
	PC-H**-9S-152-*	152		6					
	PC-H**-9S-159-*	159		6 1/4					
	PC-H**-9S-165-*	165		6 1/2					
	PC-H**-9S-168-*	168	6						
	PC-H**-10S-168-*	168	6						
10S	PC-H**-10S-177.8-*	177.8		7					
	PC-H**-10S-193.7-*	193.7		7 5/8					
	PC-H**-10S-216-*	216		8 1/2					
	PC-H**-10S-219-*	219	8						
11S	PC-H**-11S-219-*	219	8						
	PC-H**-11S-273-*	273	10						
	PC-H**-11S-324-*	324	12						
12S	PC-H**-12S-356-*	356	14						
	PC-H**-12S-406-*	406	16						