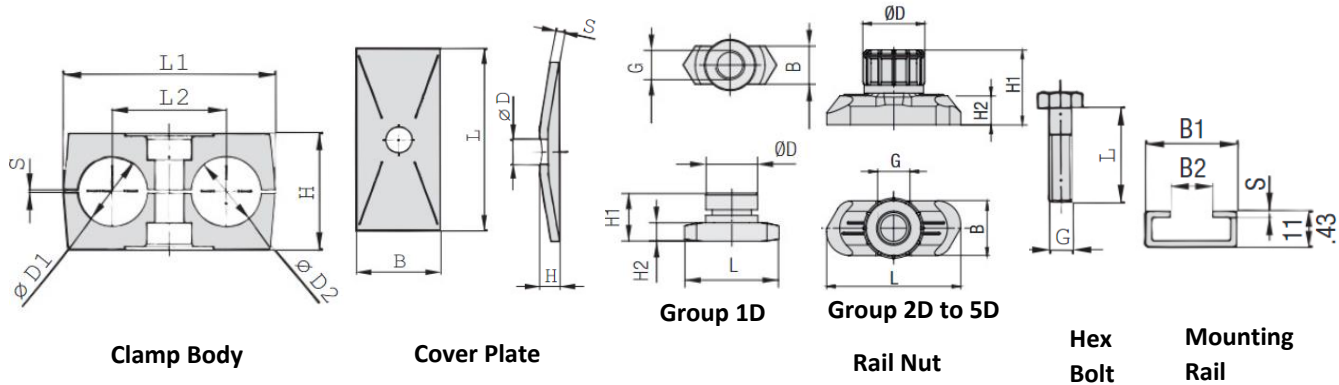


G3 TWIN SERIES COVER PLATE WITH MOUNTING RAIL AND RAIL NUT SET (HEX BOLT + COVER PLATE + CLAMP BODY + MOUNTING RAIL + RAIL NUT)



Clamp Body

Cover Plate

Group 1D

Group 2D to 5D

Rail Nut

Hex Bolt

Mounting Rail

Series	Order Code	D1/D2 Pipe O.D.	Inch Bore	Inch O.D.	Clamp Body					Cover Plate				Rail Nut					Bolt	Mounting Rail		
					L1	L2	H	S	B	L	H	S	D	B	H1	H2	D	G		B1	B2	S
1D	PC-T-**-3-1D-006-*	6/6			36	20	26.5	0.6	30	34	7	3	7	10.2	13.5	5.5	12	M6	M6 x 35	28	11	2
	PC-T-**-3-1D-006.4-*	6.4/6.4		1/4																		
	PC-T-**-3-1D-008-*	8/8		5/16																		
	PC-T-**-3-1D-009.5-*	9.5/9.5		3/8																		
	PC-T-**-3-1D-010-*	10/10	1/8																			
PC-T-**-3-1D-012-*	12/12																					
2D	PC-T-**-3-2D-012.7-*	12.7/12.7		1/2	53	29	26.5	0.7	30	52	7	3	9	10.4	13	5	14	M8	M8 x 35	28	11	2
	PC-T-**-3-2D-013.5-*	13.5/13.5	1/4																			
	PC-T-**-3-2D-014-*	14/14																				
	PC-T-**-3-2D-015-*	15/15																				
	PC-T-**-3-2D-016-*	16/16	5/8																			
	PC-T-**-3-2D-017.2-*	17.2/17.2	3/8																			
PC-T-**-3-2D-018-*	18/18																					
3D	PC-T-**-3-3D-019-*	19/19		3/4	67	36	36.5	0.7	30	65	7	3	9	10.4	13	5	14	M8	M8 x 45	28	11	2
	PC-T-**-3-3D-020-*	20/20																				
	PC-T-**-3-3D-021.3-*	21.3/21.3	1/2																			
	PC-T-**-3-3D-022-*	22/22	7/8																			
	PC-T-**-3-3D-025-*	25/25																				
PC-T-**-3-3D-025.4-*	25.4/25.4	1																				
4D	PC-T-**-3-4D-026.9-*	26.9/26.9	3/4		80	45	38	0.7	30	79	7	3	9	10.4	13	5	14	M8	M8 x 50	28	11	2
	PC-T-**-3-4D-028-*	28/28																				
	PC-T-**-3-4D-030-*	30/30																				
5D	PC-T-**-3-5D-032-*	32/32			106	56	52	0.7	30	102	7	3	9	10.4	13	5	14	M8	M8 x 60	28	11	2
	PC-T-**-3-5D-033.7-*	33.7/33.7																				
	PC-T-**-3-5D-035-*	35/35																				
	PC-T-**-3-5D-038-*	38/38																				
	PC-T-**-3-5D-040-*	40/40																				
PC-T-**-3-5D-042-*	42/42																					