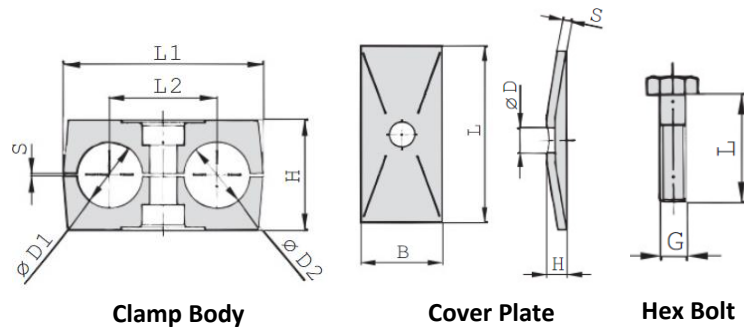


**G4 STANDARD SERIES LONG HEX BOLT AND NUT SET
(CLAMP BODY + COVER PLATE + LONG HEX BOLT AND NUT)**



Series	Order Code	D1/D2 Pipe O.D.	Inch Bore	Inch O.D.	Clamp Body					Cover Plate				Long Hex Bolt	Nuts
					L1	L2	H	S	B	L	H	S	D		
1D	PC-T**-3-1D-006-*	6/6			36	20	26.5	0.6	30	34	7	3	7	M6 x 60	M6
	PC-T**-3-1D-006.4-*	6.4/6.4		1/4											
	PC-T**-3-1D-008-*	8/8		5/16											
	PC-T**-3-1D-009.5-*	9.5/9.5		3/8											
	PC-T**-3-1D-010-*	10/10	1/8												
2D	PC-T**-3-1D-012-*	12/12			53	29	26.5	0.7	30	52	7	3	9	M8 x 60	M8
	PC-T**-3-2D-012.7-*	12.7/12.7		1/2											
	PC-T**-3-2D-013.5-*	13.5/13.5	1/4												
	PC-T**-3-2D-014-*	14/14													
	PC-T**-3-2D-015-*	15/15													
	PC-T**-3-2D-016-*	16/16	5/8												
3D	PC-T**-3-2D-017.2-*	17.2/17.2	3/8		67	36	36.5	0.7	30	65	7	3	9	-	M8
	PC-T**-3-2D-018-*	18/18													
	PC-T**-3-3D-019-*	19/19		3/4											
	PC-T**-3-3D-020-*	20/20													
	PC-T**-3-3D-021.3-*	21.3/21.3	1/2												
4D	PC-T**-3-3D-022-*	22/22		7/8	80	45	38	0.7	30	79	7	3	9	-	M8
	PC-T**-3-3D-025-*	25/25													
	PC-T**-3-3D-025.4-*	25.4/25.4		1											
5D	PC-T**-3-4D-026.9-*	26.9/26.9	3/4		106	56	52	0.7	30	102	7	3	9	-	M8
	PC-T**-3-4D-028-*	28/28													
	PC-T**-3-4D-030-*	30/30													
	PC-T**-3-5D-032-*	32/32													
	PC-T**-3-5D-033.7-*	33.7/33.7													
	PC-T**-3-5D-035-*	35/35													
5D	PC-T**-3-5D-038-*	38/38			106	56	52	0.7	30	102	7	3	9	-	M8
	PC-T**-3-5D-040-*	40/40													
5D	PC-T**-3-5D-042-*	42/42													