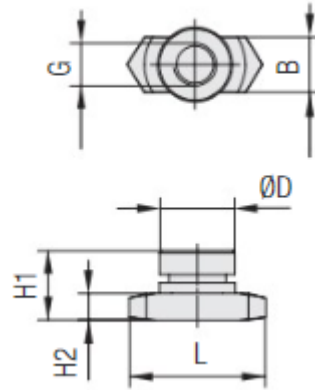


HEXAGON RAIL NUT (FOR TWIN SERIES)

(for Use with Mounting Rail TS)

Type SM



Group	DIN	Order Code	Dimensions					
			G	L	B	H1	H2	D
2D	2	SM-2-5D-M-W3	M8	25.5	100.4	13	5	14
3D	3							
4D	4							
5D	5							