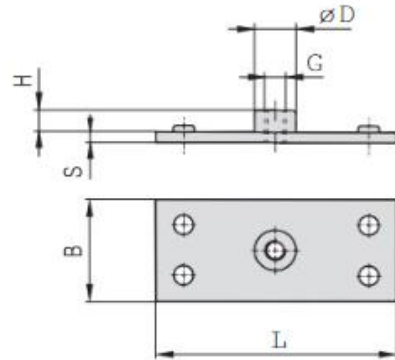


SINGLE WELD PLATE (FOR TWIN SERIES)
Type SP


Group	DIN	Order Code	Dimensions					Thread G
			L	B	S	H	D	
1D	1	SP-1D-M-W2	37	30	3	6.5	12	M6
2D	2	SP-2D-M-W2	55	30	5	6	14	M8
3D	3	SP-3D-M-W2	70	30	5	6	14	M8
4D	4	SP-4D-M-W2	85	30	5	6	14	M8
5D	5	SP-5D-M-W2	110	30	5	6	14	M8